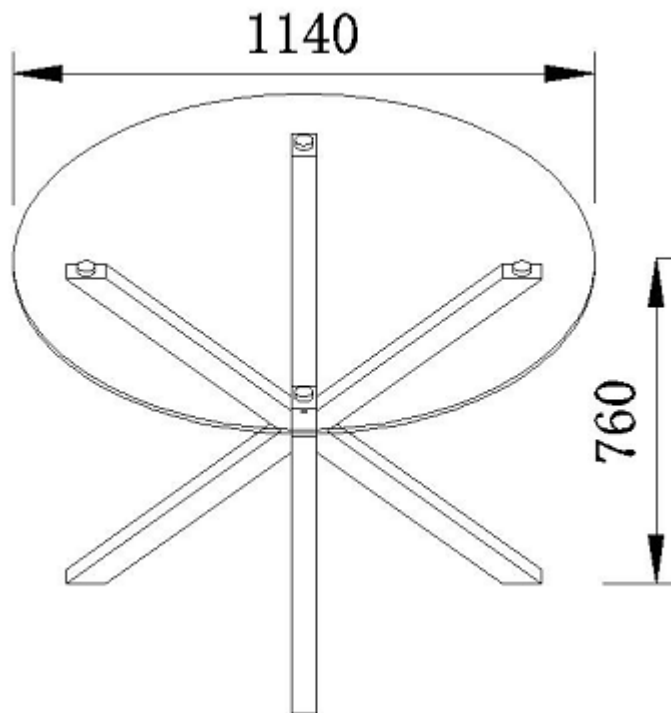




ASSEMBLY INSTRUCTION
BOULEVARD 1140 ROUND DINING TABLE
ITEM CODE 65860

Imported by Amart Furniture Pty Ltd, Qld, Brisbane Australia.
For any assistance with assembly or for missing parts please
phone Amart Furniture
Customer Service Free call 1800 351 084



Imported by Amart Furniture Pty Ltd, Qld, Brisbane Australia.
For any assistance with assembly or for missing parts please phone
Amart Furniture, Customer Service Free call 1800 351 084








PRE-ASSEMBLY PREPARATION

Before you start:

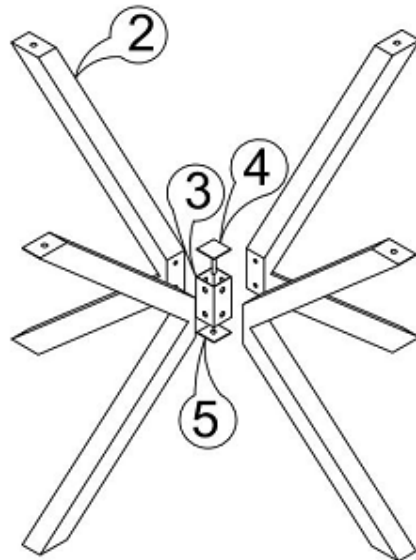
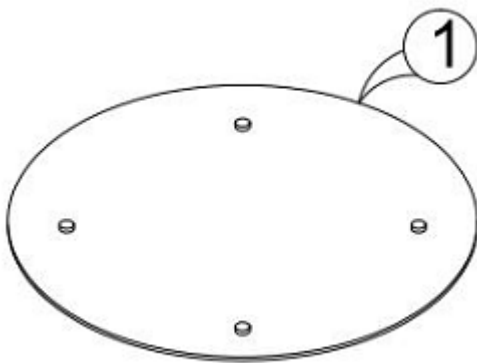
1. Choose a clean, level, spacious assembly area. Avoid hard surfaces that may damage the product
2. Take care when lifting. Product should be assembled as near as possible to the point of use
3. Ensure that you have all required contents for complete assembly
4. Always read the assembly instructions carefully before beginning assembly.
5. Keep all hardware parts and packaging out of reach of small children.
6. Do not over tighten the screws and bolts as this may damage the threads



PARTS LIST

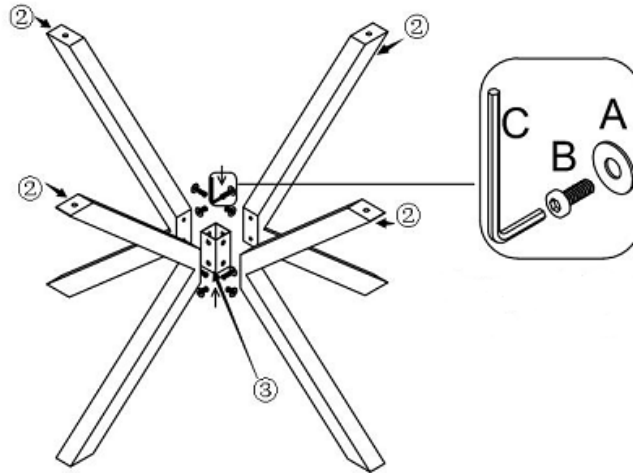
A  X13	B  M8X15 X8	C  X1	D  M8X10 X4
E  M6X15 X1	F  X1	G  X4	

1	GLASS TABLE TOP
2	V-Leg
3	Connection Metal
4	Top-Cover
5	Bottom-Cover



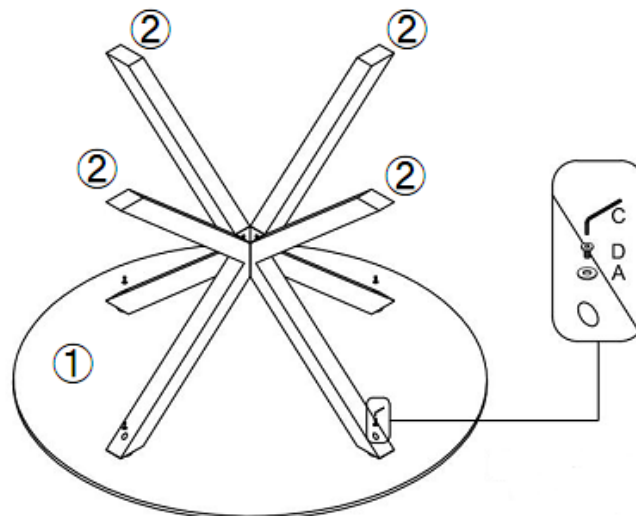
STEP 1:

- Combine all 8 x screw(B) with 8 x Washer(A).
- Using Allen Key(C) half fasten, Connection metal ③ and V-Legs ② with screw(B), as shown.
- Only half tighten, Do not fully tighten the screws at this stage.



STEP 2:

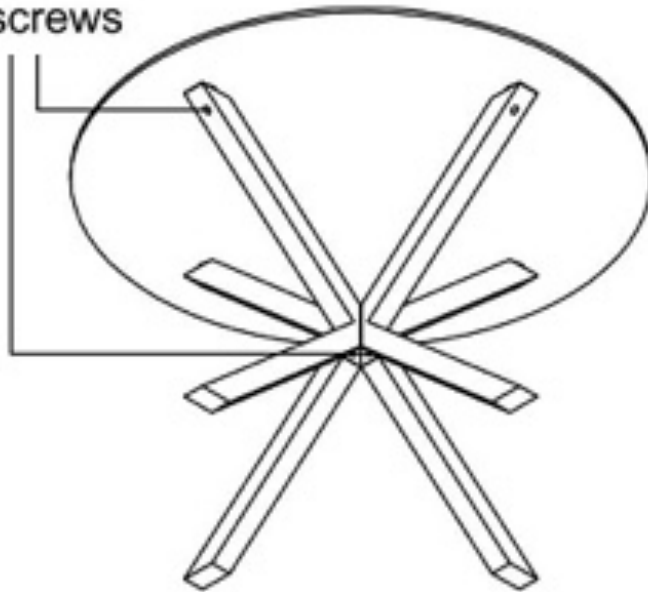
- Combine all 4 x screw(D) with 4 x Washer(A).
- Using Allen Key(C), half fasten the legs and the glass top ① with screw(D).
- Only half tighten, Do not fully tighten the screws at this stage.



STEP 3

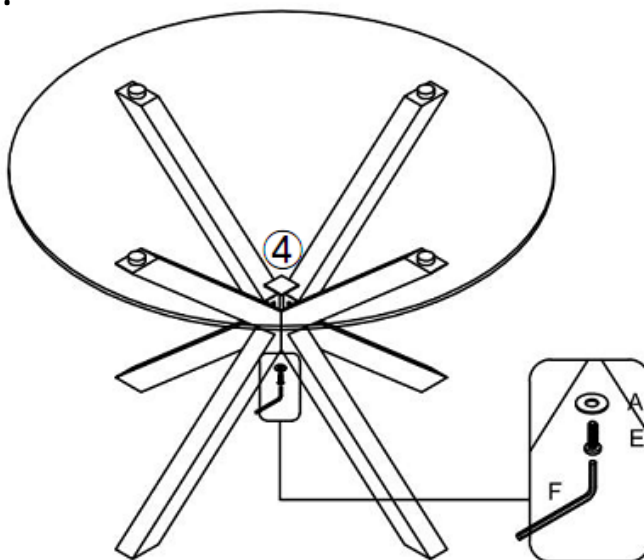
- Carefully, with 2 people, flip the half tightened table over on to a flat and level surface.
- Let the table find balance.
- Now go around and tighten all the screws with Allen Key(C). Starting with the , Connection metal ③ and V-Legs ②, then the legs to the the glass top ①. Working in order of opposite corners.
- Tighten until firm, do not over tighten.

Tighten all
the screws



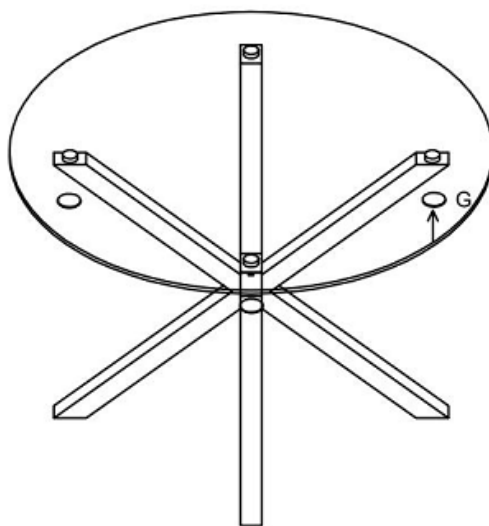
STEP 4

- Connect Top-Cover ④ and Bottom-Cover ⑤, through Connection metal ③
- Use Screw(E) combined with Flat Washer(A) using Allen Key(F).

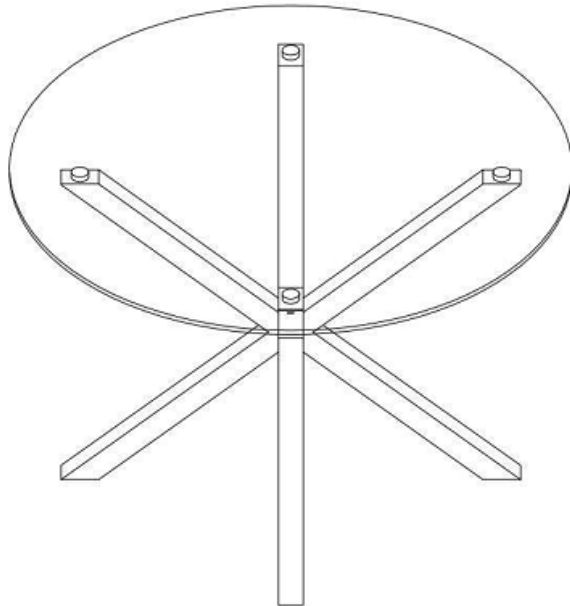


STEP 5 (Optional)

- Use stickers(G) to mask the holes under the legs.



ASSEMBLY IS COMPLETE



PRODUCT CARE:

If the glass is chipped or broken, stop using the product and consult place of purchase

WARNING:

- **Do not place very hot or cold items on the glass surface unless adequately thick table mats are used to prevent such items coming in contact with the glass**
- **Do not sit or stand upon the glass surface**
- **Do not use the glass as a chopping surface**
- **Do not strike the glass with hard or pointed items**
- **When cleaning the glass panels use a damp cloth or leather with washing up liquid or soft soap if necessary. Do not use washing powders or any other substances containing abrasives since these may scratch the glass**

Our furniture is built to last. Following these steps for basic care should protect your investment for years to come

- **Dust frequently with a clean damp lint-free cloth. This will help remove abrasive build up which can damage a finish over time**
- **Avoid exposing your furniture to strong sunlight, heat outlet, open windows or dampness. Prolonged exposure to direct sunlight can fade the finish of your furniture, while extreme temperature and humidity changes can cause cracking or splitting**
- **Do not allow plastic to come in direct contact with your furniture. Chemicals in the plastic of placemats etc. may soften and mark the finish if left in contact with the furniture for a period of time**